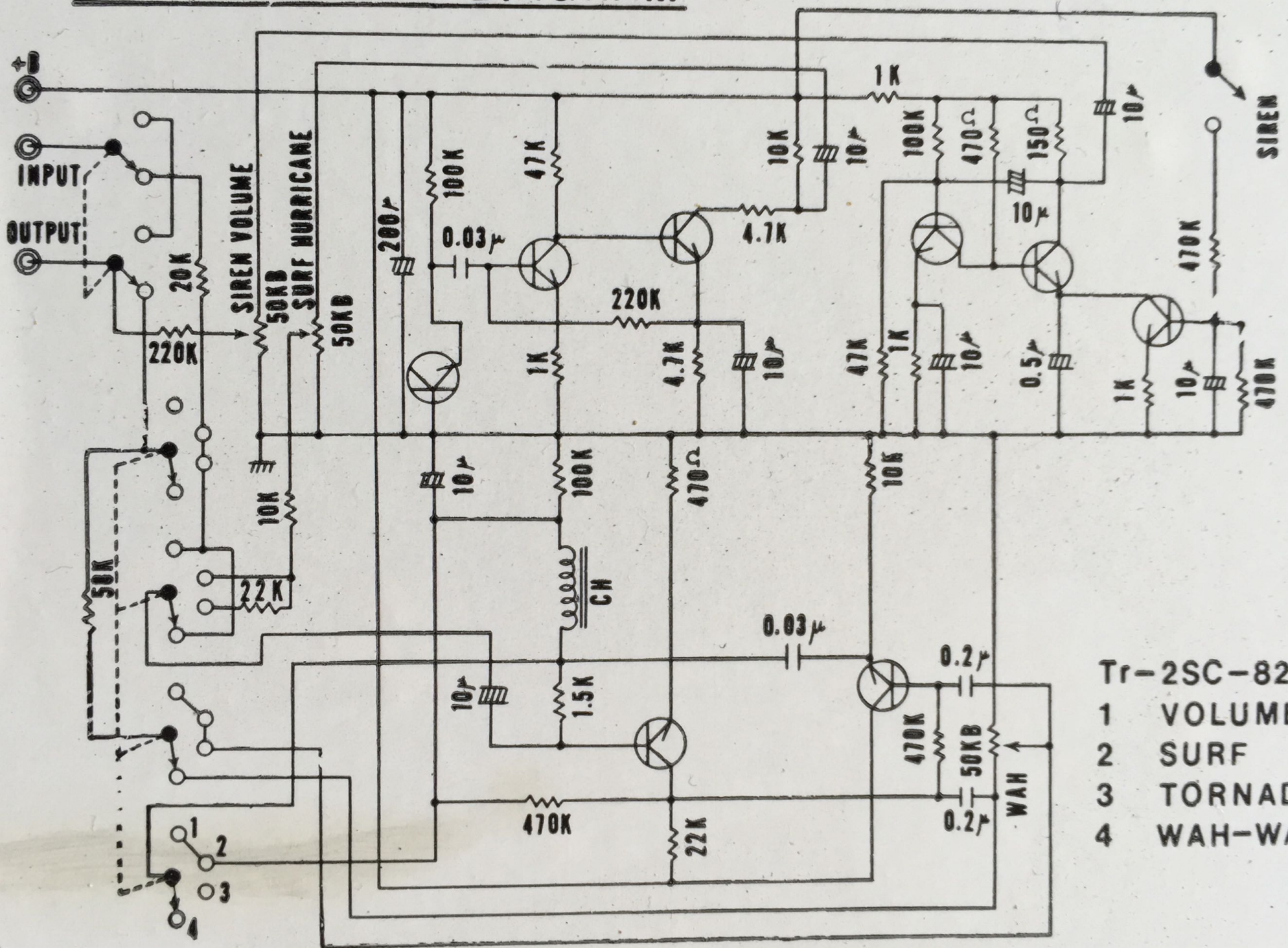


DIAGRAM



- Tr-2SC-828x8
- 1 VOLUME
 - 2 SURF
 - 3 TORNADO
 - 4 WAH-WAH