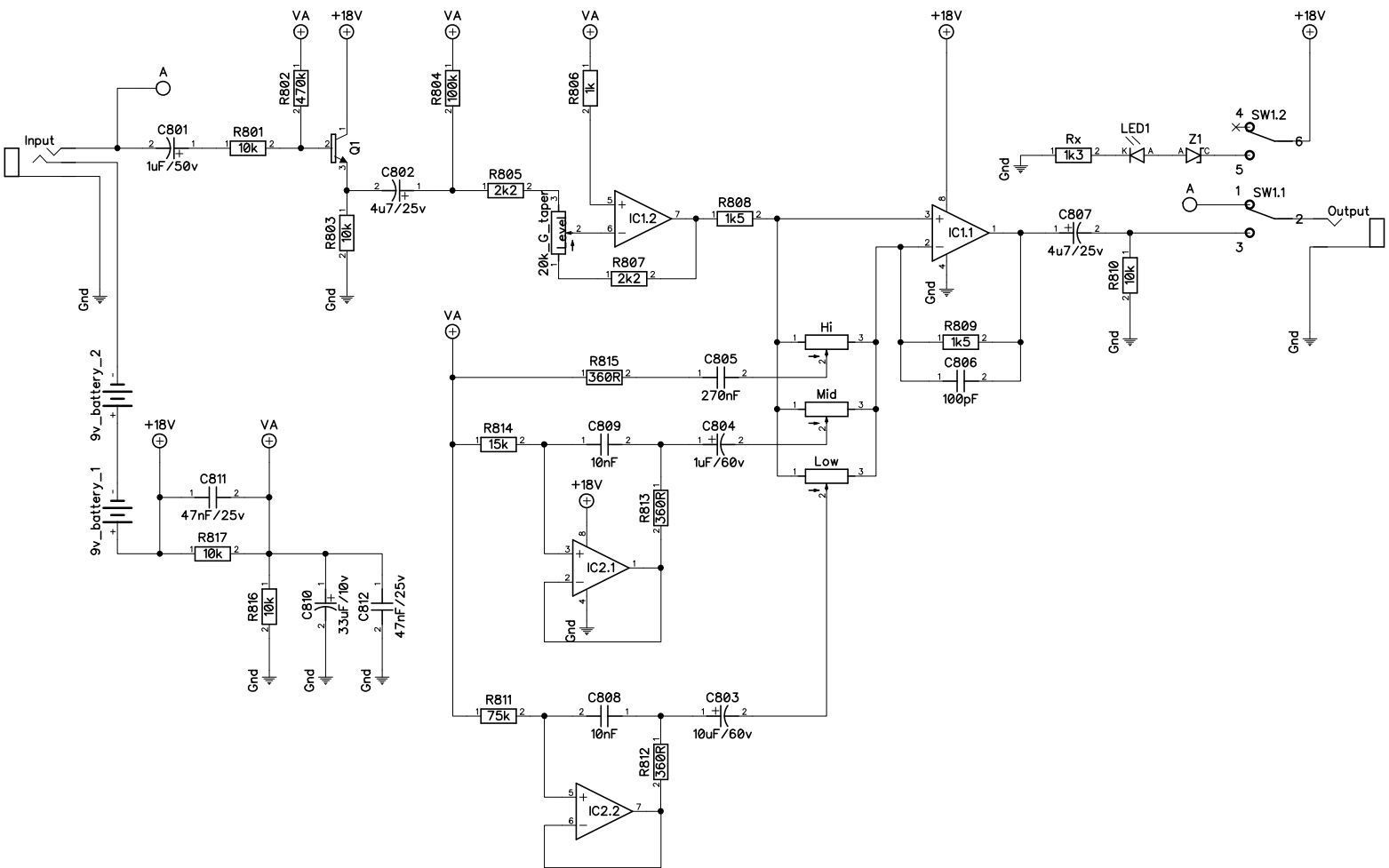


RevNo	Revision note	Date	Signature	Checked
-------	---------------	------	-----------	---------

A
B
C
D
E
F



Hi/Mid/Low sliders - Value unknown - 10k linear makes sense
 IC1/IC2 - MC1458P Dual Op-Amps
 Q1 - C1815BL, Z1 - value unknown - possibly 18-24v Zener diode

Itemref	Quantity	Title/Name, designation, material, dimension etc		Article No./Reference	
Designed by Maxon	Checked by	Approved by - date - 00/00/00	File name	Date 29/05/2015	Scale 1:1
<h2>Ibanez GE300 Power Equalizer</h2>			This document is meant for educational purposes only. Not for sell. Feel free to distribute to whoever. Copyright applies		
			www.turretboard.co.uk		Revision 1.2