

Ibanez

MULTI-

EFFECTS

UE400

OWNER'S MANUAL

To get most out of the UE-400 and to avoid unnecessary trouble, please read this manual before operating.

[FEATURES]

●Four in One

Four of the most popular effects are combined into one unit. Compressor, phaser, overdrive and flanger. In addition, the UE-400 allows you to change the order in which the effects are connected without messing with any cables.

●Convenience

The UE-400 is very portable, easy to set up and use, making it perfect for gigs.

●External Effect Jack

The UE-400 will accept any external effect and control normal/effect switching from the master footswitch.

●AC Power

All effects operate from a regulated DC supply.

●Low Noise

The effects themselves are designed to be low noise, making the UE-400 perfect for the studio and on stage.

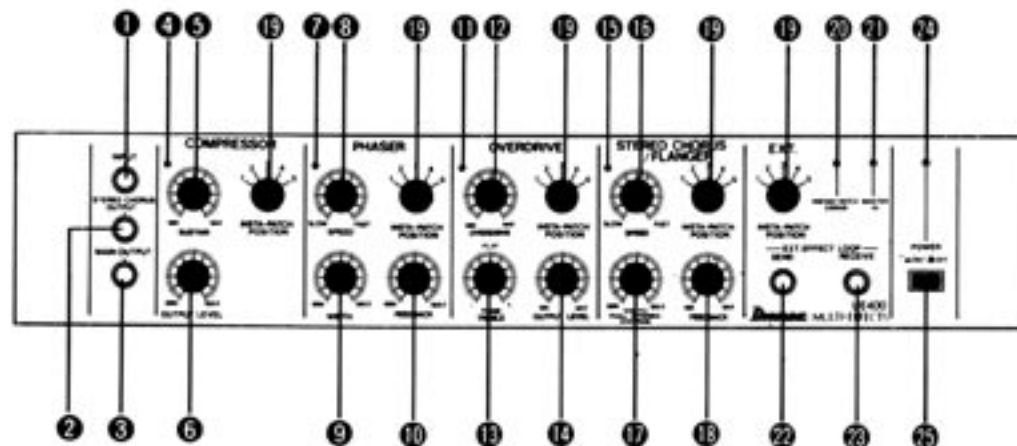
●FET Electronic Switching

Standard rugged, dependable footswitches control FET switches within the unit for click free normal/effect switching.

●Stereo Chorus Output

The UE-400 Chorus is a high performance, invert phase type with individual output.

[FRONT PANEL]



①INPUT

Connects input to instruments.

②STEREO CHORUS OUTPUT

Separate output for stereo chorus only.

③MAIN OUTPUT

Connects to amplifier or effects receive jack of mixer.

4 COMPRESSOR NORMAL/EFFECT INDICATOR

Indicates Compressor normal/effect.

5 SUSTAIN

Controls decay time from normal to very long.

6 LEVEL

Controls output level. Usually set at 1 to 1 ratio normal : effect

7 PHASER NORMAL/EFFECT INDICATOR

Indicates phase normal/effect.

8 SPEED

Turning CW increases the rate of the phase shift.

9 WIDTH

Controls the depth of the phasing.

10 FEEDBACK

Turning CW increases the presence of the phase effect with accentuated highs and lows.

11 OVERDRIVE NORMAL/EFFECT INDICATOR

Indicates distortion normal/effect.

12 OVERDRIVE

Adjusts the clipping level of the overdrive unit. Turning knob CW increases distortion.

13 TONE TREBLE

Controls the coloration of the sound. CCW for a Turning thick mellow tone.

14 LEVEL

Since the amount of overdrive has an effect on the apparent loudness of the signal, a level control is included to adjust the output level. Usually set for 1 : 1, normal : effect level.

15 FLANGER NORMAL/EFFECT INDICATOR

Indicates franger effect/normal.

16 SPEED

Controls the automatic sweep speed of the flanger.

17 WIDTH AND PUSH/PULL SELECT SWITCH FOR CHORUS AND FLANGER.

Control auto sweep width. Turning CW deepens the effect.
*Pull stereo chorus.

18 FEED BACK

Controls the amount of flanged signal feed back within the flanger.

Does not effect the feed back in chorus.

19 INSTA-PATCH POSITION SELECTOR

This switch sets the order of each effector. Indicator tells you when selection is overlapped, so set correctly including the selector for Ext. effects, even not in use.

20 INSTA-PATCH ERROR

INSTA-PATCH ERROR LED warns you & also output power is turned off, when the order of each effect is at wrong position.

21 MASTER-IN INDICATOR

Indicates when the effect is on. Input signal is directly line-out when LED is off.

22 EXT. EFFECT SEND

Connects Ext. effect send to external effector input.

In case of STEREO CHORUS, dry signal is line-out when connected to another amp.

23 EXT EFFECT RECEIVE

Connects Ext. effect receive to external effector output.

24 POWER INDICATOR

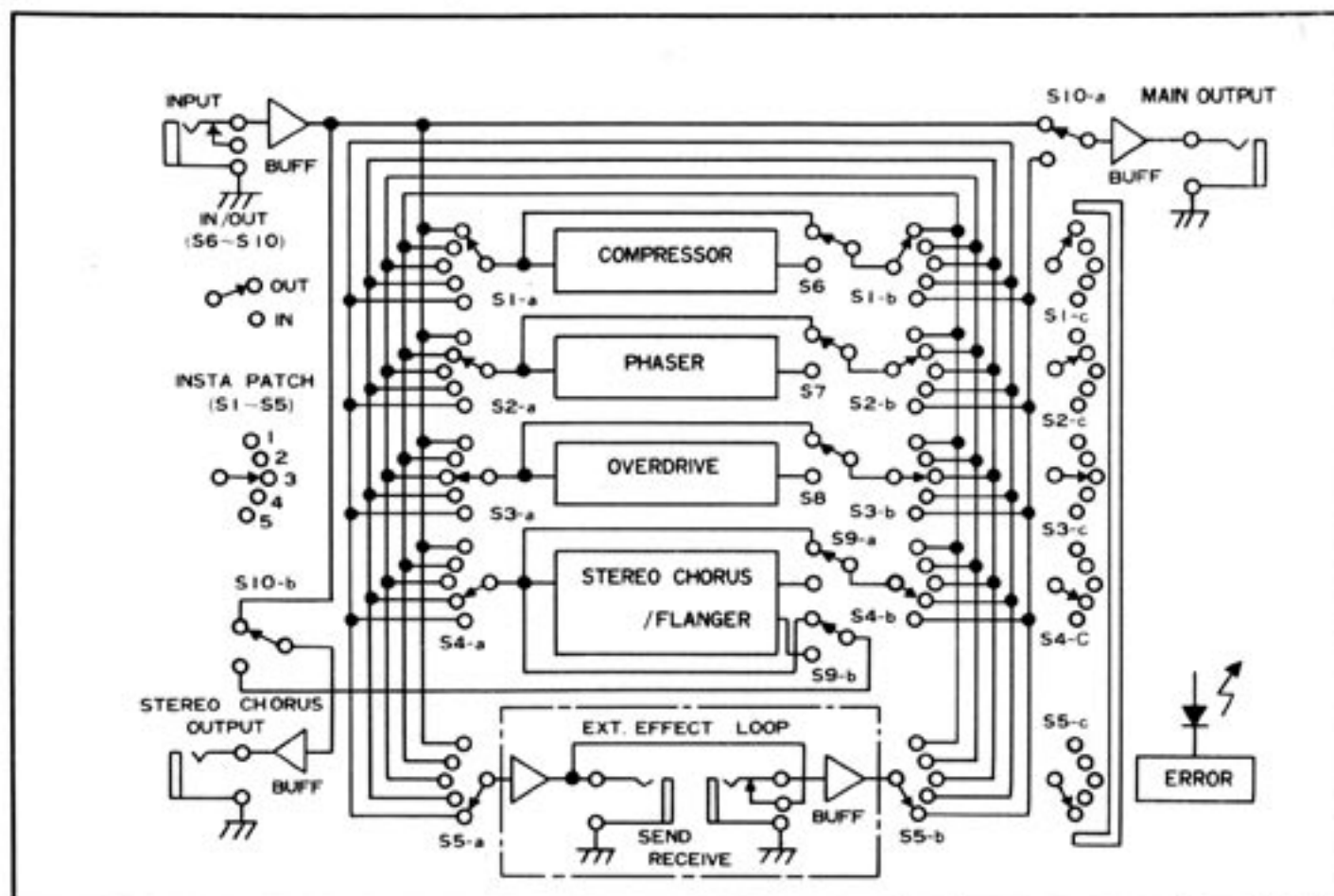
LED indicates when the unit is on.

25 POWER SWITCH

Slide switch for power on/off.

All effects are operated by a regulated DC supply.

[BLOCK DIAGRAMS]



[SPECIFICATIONS]

① COMPRESSOR

MAX. INPUT LEVEL : +6.5dBm at 400Hz
 MAX. OUTPUT LEVEL : 0dBm at 400Hz
 COMPRESSON RANGE : 40dB
 EQUIVALENT INPUT NOISE : -90dBm (IHF-A
 input shorted)
 FREQUENCY RESPONSE : 30Hz to 20KHz (+5dB,
 -2dB)

② PHASER

MAX. INPUT LEVEL : +5dBm at 400Hz
 INPUT/OUTPUT LEVEL RATIO : 1:1
 SWEEP SPEED : 0.06Hz to 13Hz
 EQUIVALENT INPUT NOISE : -98dBm (IHF-A
 input shorted)

③ OVERDRIVE

MAX. AMPLITUDE : 30dB
 MAX. OUTPUT LEVEL : 0dBm
 EQUIVALENT INPUT NOISE : -100dBm (IHF-A
 input shorted)

④ STEREO CHORUS/FLANGER

MAX. INPUT LEVEL : +5.6dBm at 400Hz
 DELAY TIME OF FLANGER : 1.46m/sec. to 12.8
 m/sec.
 DELAY TIME OF CHORUS : 3.2m/sec. to 8.6m/sec.

INPUT/OUTPUT LEVEL RATIO : 1:1

EQUIVALENT INPUT NOISE : -106dBm (IHF-A
 input shorted)

SWEEP SPEED OF FLANGER : 0.06Hz to 13Hz

SWEEP SPEED OF CHORUS : 0.3Hz to 3.0Hz

⑤ OVERALL

INPUT IMPEDANCE : 500K ohms

MAIN OUTPUT IMPEDANCE :

less than 10K ohms

STEREO CHORUS OUTPUT IMPEDANCE :

less than 10K ohms

EXT. EFFECT LOOP SEND IMPEDANCE :

less than 10K ohms

EXT. EFFECT LOOP RECEIVE IMPEDANCE :

500K ohms

POWER REQUIREMENTS : 117VAC/60Hz/7.6W,

220VAC to 240VAC/50Hz/9.8W

DIMENSIONS : UNIT-482(W)×98(H)×232(D)mm

: FOOT SWITCH-340(W)×42(H)×

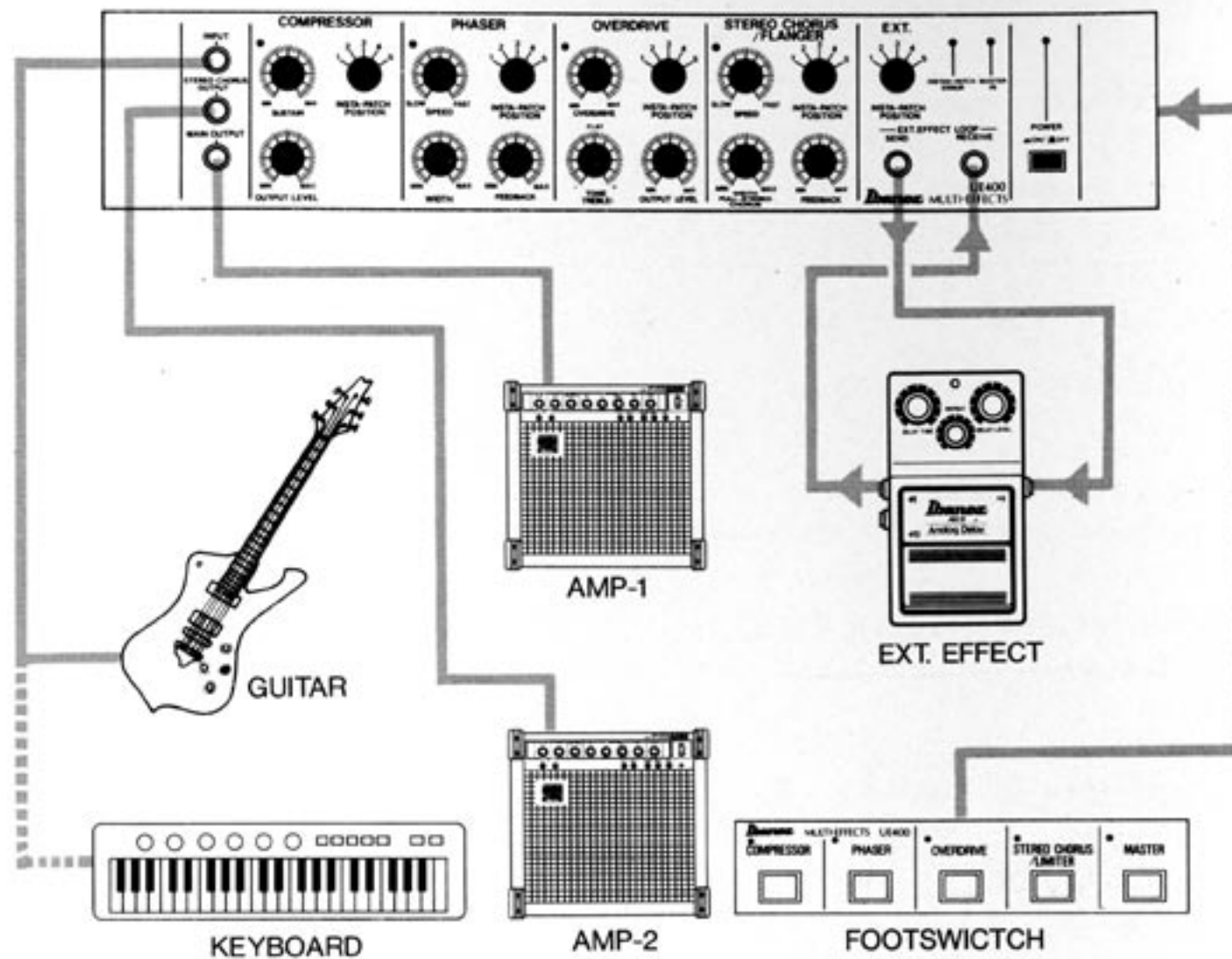
70(D)mm

WEIGHT : UNIT-3.9kg

: FOOTSWITCH-1.2kg

ACCESSARY : Footswitch with connection cord-
 5m

●STEREO CHORUS

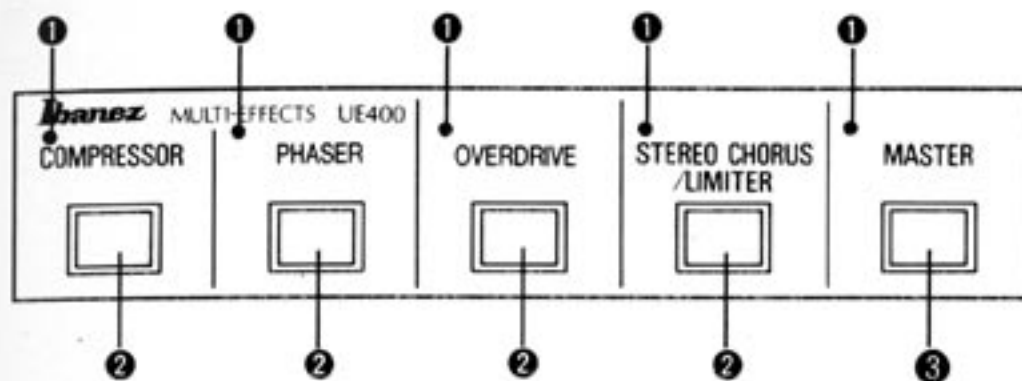


- 1) Connects another amplifier to stereo chorus output.
- 2) Pulls WIDTH in flanger.
- 3) Gets effect sound from amplifier connected to output, does dry sound from amplifier connected to send.

[OPERATING PRECAUTIONS]

- Power Supply : 117VAC (N & T-Type) or 220-240VAC (R, U, Q & S-Type)
- Operate unit only if temperature is range of 0C (32F) to 40C (104F)
- The UE400 is constructed from precision parts, Do not allow liquids or other contaminants in contact with the unit.
- Do not plug or unplug AC power cord while using at loud volumes. Amplifier or speaker damage may result.

[FOOTSWITCH]



① NORMAL/EFFECT INDICATOR

A LED for each effect indicates effect or normal mode.

② FET ELECTRONIC FOOTSWITCH

Standard rugged, dependable footswitches control Standard

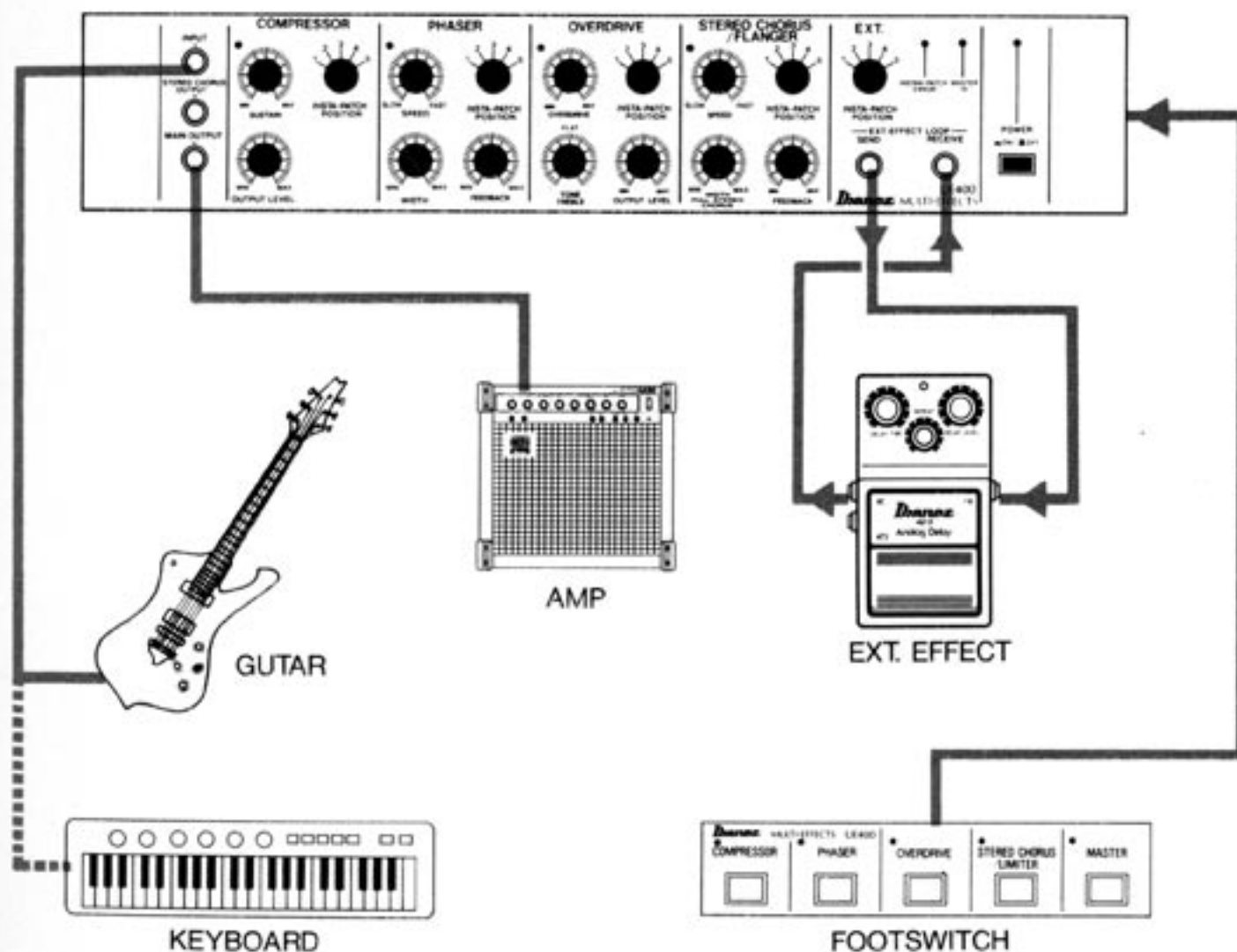
FET switches within the unit for click free normal/effect switching.

③ MASTER IN/OUT

Master footswitch for all of the effects, IN/OUT.

[CONNECTION DIAGRAMS]

● STANDARD



1) Connects footswitch cable and UE-400.

2) Connects instrument to input, amplifier to main output.

3) If you use another effectors, make chains of effects receive and send jacks. Make sure switch is on effect.

Use master footswitch for normal/effect switching of external effect.

NOTE: Please take off jacks from receive and send while external effector is not to use.